






CMS V-MONITOR

100-i / 101-i Series



 CanadianMedicalSys.com

 Info@CanadianMedicalSys.com

 1 (416) 572 2186 1 (866) 848 8225



Health
Canada

Santé
Canada

APPROVED M.D.E.L. # 15230

U.S.A. and Canada
PATENT PEND.



CMS V-Monitor 100-i / 101-i

Capacity and Access Control System

Canadian Medical Systems offers leading edge thermal tablets that uses advanced Artificial Intelligence to detect whether the individual is adhering to proper face mask wearing guidelines and not showing signs of elevated body temperature.

The entire process is contactless (from a distance of 0.5 – 1 meters) and takes less than a second, removing the need for human intervention. The thermal tablet is manufactured with an RFID card reader system and access control integration.

The Optional Capacity Control feature and software integration is also available.

ADVANCED,
PROPRIETARY
TECHNOLOGY

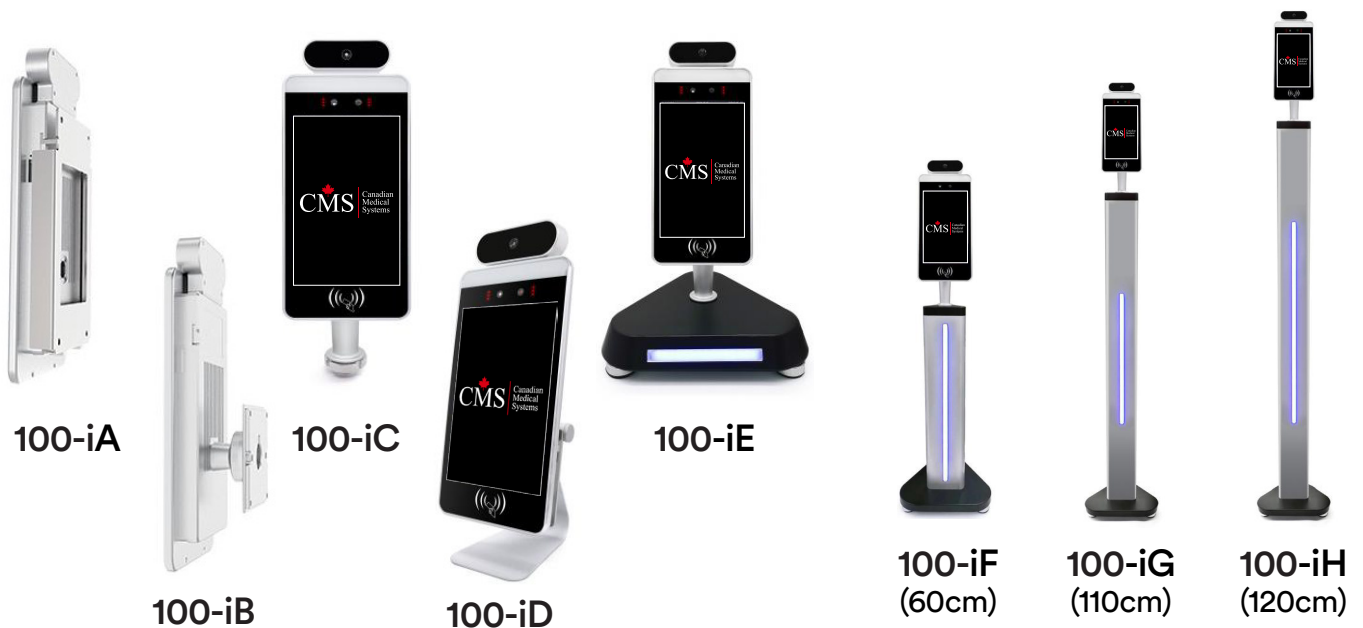
“PLUG & PLAY”
INTEGRATION

CUTTING-EDGE
PERFORMANCE AND
RELIABILITY

APPLICATION



100-i / 101-i SERIES MODELS



FACIAL RECOGNITION

Camera

- 200W pixel
- Binocular wide dynamic camera
- Stranger alert
- Face recognized with mask
- Recognize living person instead of photo
- 30,000 faces stored
- Over one million records stored



STATE-OF-THE-ART-TECHNOLOGY



E-MAIL NOTIFICATION

E-mail will be automatically sent to the system administrator in case of an elevated body temperature detection.



FACE MASK DETECTION

Uses an Artificial Intelligence-enabled camera to accurately detect and verify compliance with face mask usage.



ACCESS CONTROL

Controls access capabilities based on specific requirements (i.e. face mask policy compliance, normal body temperature, recognized or unrecognized visitors, and access time).



EMPLOYEE TIME LOGIN RECORDING

Keeps a detailed log, in real-time, of the times employees enter the premises.



RFID ENABLED

Integrated with a card reader to be used with access card systems currently in place.



FACIAL RECOGNITION

Detects facial features on an individual using advanced Artificial Intelligence.



THERMAL CAMERA

Uses an infrared camera to detect if the person has an elevated body temperature.



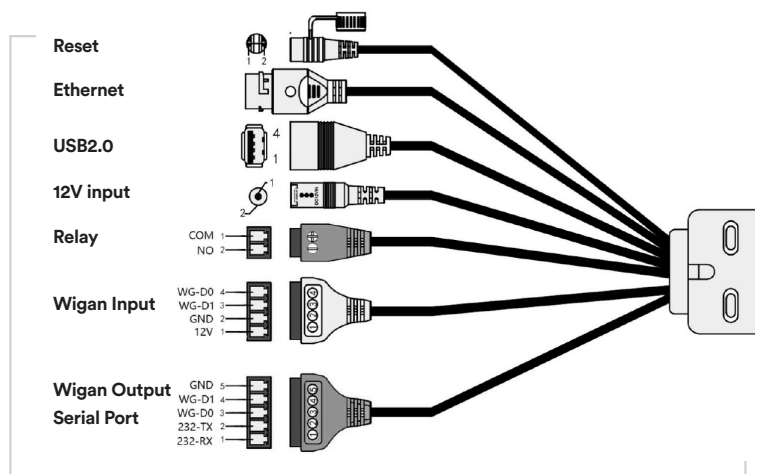
CAPACITY CONTROL

Incorporates with turnstiles and an added screen to keep track of and limit the number of visitors to the premises.

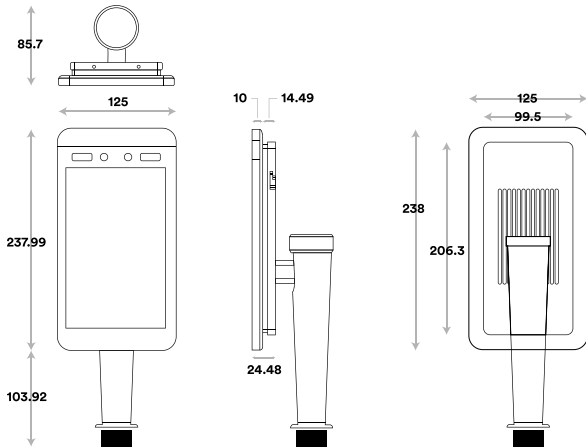
ACCESS CONTROL INTEGRATION

WIRE INTERFACE DEFINITION

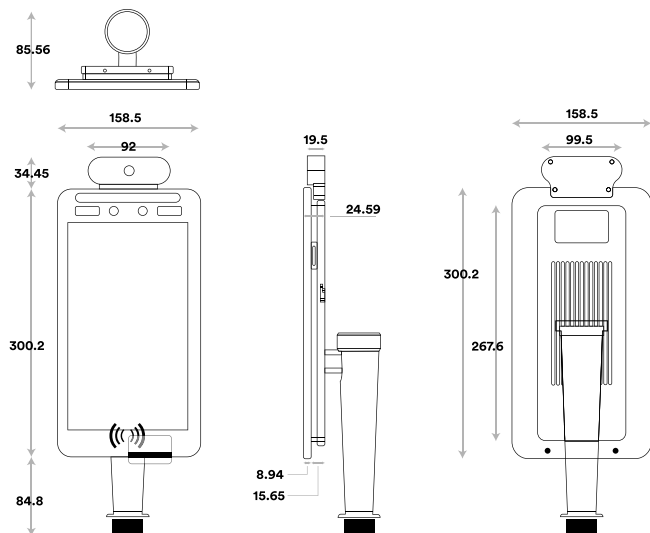
Relay	Wigan Input	Wigan Output
Pin 1: COM	Pin 1: 12V	Pin 1: 232-RX
Pin 2: NO	Pin 2: GND	Pin 2: 232-TX
	Pin 3: WG-D1	Pin 3: WG-D0
	Pin 4: WG-D0	Pin 4: WG-D1
		Pin 5: GND



8" THERMAL TABLET DRAWING



10.1" THERMAL TABLET DRAWING



CMS V-Monitor 100-i series

GENERAL PARAMETERS	Protection Class	IP64
	Power	DC12V (±10%)
	Working Temperature	-10 °C ~ 60 °C
	Storage Temperature	-20 °C ~ 60 °C
	Power Consumption	13.5W (Max)
	Installation Method	Gate bracket installation
	Weight	1.45kg
FUNCTION	Facial Detection	Supported
	Face Library Support	Up to 30,000
	1: N Facial Recognition	Support
	1: 1 Facial Comparison	Support
	Stranger Detection	Support
	Identify Distance Configuration	Support
	UI Interface Configuration	Support
	Remote Device Upgrade	Support
	Device Interface	Interfaces include device, management, personnel / photo, management, record query, etc.
	Deployment Method	Support public cloud deployment, privatized deployment, LAN use, stand-alone use
CAMERA	Resolution	200W pixel
	Type	Binocular wide dynamic camera
	Focus Distance	30 - 50cm suggested
	White Balance	Automatically
SCREEN	Size	8.0 inch / 10.1 inch IPS LCD panel
	Resolution	800x1280
PROCESSOR	CPU	RK3288 quad-core
	ROM	EMMC 8G
NETWORK MODULE	Supports Ethernet and WIFI	
AUDIO	Supports 2.5W / 4R speakers	
ACCESSORIES	Fill light	LED and IR dual fill light
INTERFACE	Reset	X1
	Ethernet	X1
	USB2.0	X1
	12V DC	X1
	Relay	X1
	Wigan Input	X1
	Wigan Output	X1
TEMPERATURE DETECTED	Body Temperature Detection	Support
	Temperature Detection Distance	0.5 - 1M
	Temperature Measurement Accuracy	±0.5 °C
	Temperature Measurement Range	10 °C ~ 42 °C
	Visitors' Temperature Is Normal	Support
Alarm For Over Temperature	Support (body temperature alarm value can be set up)	

CAPACITY CONTROL AND MONITORING (optional feature)

Social Distancing Compliance With smart display to monitor traffic flow

Counts pedestrian traffic entering and exiting the premises, providing real-time data on the number of people within the location. A tablet screen at the entrance is used to indicate the total capacity and the current occupancy of the subject location granting or denying access to ensure compliance with Health Canada's directives.

CMS V-Monitor 100-i / 101-i would integrate with the tablet screen and the existing doors or turnstiles to enable efficient capacity control.

